



Features and Benefits

Frequency range: 50MHz
Supply voltage: 5.0V
Current: 4mA Max.
Output waveform: Clipped Sine
Frequency stability vs. temperature: ±2.0PPM
Aging: ±1PPM per year
Operating temperature: -40°C to +85°C
Size: 11.4x9.6x1.85 mm

Typical Applications

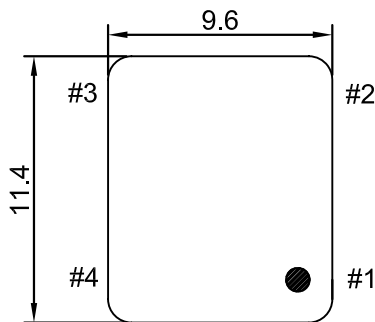
Portable Wireless Communications
Mobile Test Equipment
Radio
SATCOM System

Description

TCXO1196BT-56MHz-A-V is the high reliable and low package TCXO. It can be widely used in the portable communication devise.

Mechanical Drawing & Pin Connections

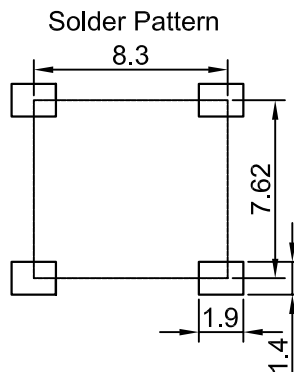
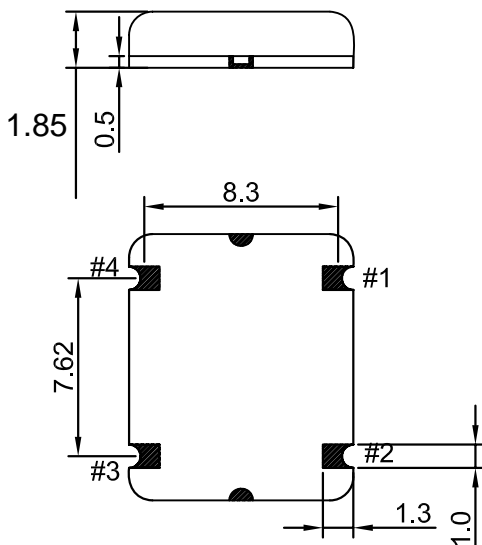
Drawing No: A 8 % \$%84(



Pin Connection:

Pin#	Symbol	Function
1	Vc	Voltage Control
2	GND	Ground
3	Output	RF Output
4	Vcc	Supply Voltage

Unit in mm
1mm = 0.0394 inches





Specifications

Oscillator Specification	Sym	Condition	Value			Unit	Note
			Min.	Typ.	Max.		
Operational Frequency	f _o			50		MHz	
RF Output							
Output Waveform			Clipped sine				
Output Level			0.8			Vp-p	
Output Load			10K//10pF				
Power Supply							
Voltage	V _{cc}	±5%		5.0		V	
Current					4.0	mA	
Frequency Control							
Control Voltage Range			0.3	1.65	3.0	V	
Tuning Range		Positive slope	±5			ppm	
EFC input impedance			50			Kohm	
Frequency Stability							
Tolerance		@+25°C			1.0	ppm	
Versus Temperature Reference to (FMAX+FMIN)/2					±2.0	ppm	
Versus supply voltage		±5%			±0.2	ppm	
Versus load change		±5%			±0.2	ppm	
Versus Aging@+40°C		1 st year			±1.0	ppm	
Environmental Conditions							
Operating temperature range		-40°C to +85 °C					
Reflow Profiles as per IPC/JEDEC J-STD-020C		≤260°C over 10 sec. Max.					

Note: Unless otherwise specified conditions are @+25 °C